



# Premier Lockers

NEW ZEALAND'S LOCKER SPECIALIST



## STORAGE CABINET

Premier Locker's Stationery Cabinets feature reinforced doors with a three point locking system, ideal for storing documents and valuable items. Shelves can be adjusted in height to maximise storage capacity. Stationery Cabinets are available in various heights, widths and configurations to suit your needs or available space.

### FEATURES

- ▶ Flush mounted doors with a 180° door opening capacity
- ▶ Shelves are adjustable in 32mm increments
- ▶ Drawer fronts include full length label holder for easy identification
- ▶ 3 Point locking mechanism fitted with a barrel exchange lock
- ▶ Large range of accessories available to enhance your storage experience
- ▶ 40kg shelf capacity uniformly distributed load (UDL)
- ▶ Quality powder coated finish
- ▶ 10 year product warranty

### STOCK COLOURS

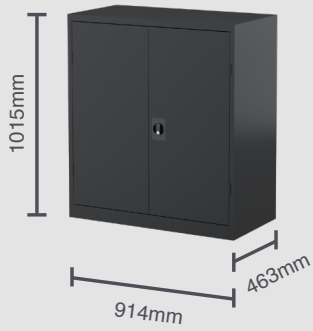
SILVER GREY

Custom colours available on request, contact your local sales representative for more information.

P: 0800 146 199

[www.premier-lockers.co.nz](http://www.premier-lockers.co.nz)

[sales@premier-lockers.co.nz](mailto:sales@premier-lockers.co.nz)



TWO SHELF UNIT



THREE SHELF UNIT



FOUR SHELF UNIT

### STANDARD LOCK OPTIONS



Key Lock

### TECHNICAL SPECIFICATIONS

CODE	DESCRIPTION	DIMENSIONS
ST1015	Stationery Cabinet - 2 Shelves	1015H x 914W x 463D
ST1830	Stationery Cabinet - 3 Shelves	1830H x 914W x 463D
ST2000	Stationery Cabinet - 4 Shelves	2000H x 914W x 463D

P: 0800 146 199

[www.premier-lockers.co.nz](http://www.premier-lockers.co.nz)

[sales@premier-lockers.co.nz](mailto:sales@premier-lockers.co.nz)